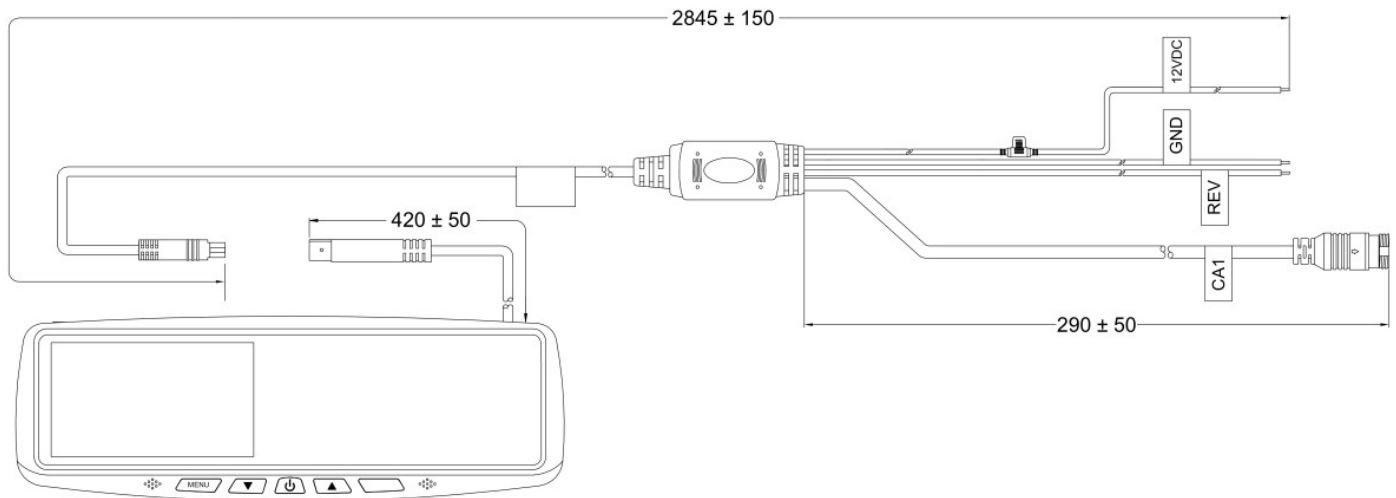


Product Specification

Brigade Model Number: **VBV-243M Monitor**
 Part Number: **VBV-243M (4070)**



Dimensions: mm

Product Specification

Environmental Specifications:

- Vibration Rating: 6.05G
- Connector IP Rating: N/A
- Monitor IP Rating: N/A
- Operating Temperature: -20° to +70 °C
- Storage Temperature: -30° to +80°C

Approved Standards:

- CE
- FCC
- RoHS
- WEEE

Technical Specifications:

- Operating Voltage: 12 Vdc
- Current Consumption: ≤ 450mA @ 11 Vdc
- Power Consumption: 4.95 Watts @ 11 Vdc
- TV System: PAL/NTSC
- Panel Size: 4.3"
- Resolution: 480 x (RGB) x 272
- Contrast Ratio: 500:1
- Brightness: 200 cd/m²
- Viewing Angle:
 - 60(T), 55(B), 50(L), 50(R)
- Number of Video Inputs: 1 Camera
- Number of Triggers In: 1
- Number of Triggers Out: None
- Shutter Function on Channels: None
- Tilt Function on Channels: None
- Mirror/Normal: Normal

Technical Specifications Continued...

- Cable Thickness:
 - Power Cable: 18 AWG
 - Trigger Cable: 18 AWG
- Weight: 265 Grams (Monitor only)
- Video Input: 1.13Vp-p/75Ω (NTSC)
1.1V p-p /75Ω (PAL)
- Length of Cable:
 - Monitor Pigtail: 420 ± 50mm
 - Cable Adapter: 2845 ± 150mm
- Overall Dimensions: (Without Bracket)
259 mm (W) x 22 mm (D) x 88 mm (H)
- Casing Material: ABS
- Colour: Black Spray Paint

Features:

- Digital LCD Panel
- On Screen Display Menu (OSD)

Package Contents:

- 1x Monitor
- 1x Cable Adapter
- 1x Windscreen Bracket & Fixing Pack
- 1x Installation Guide

